

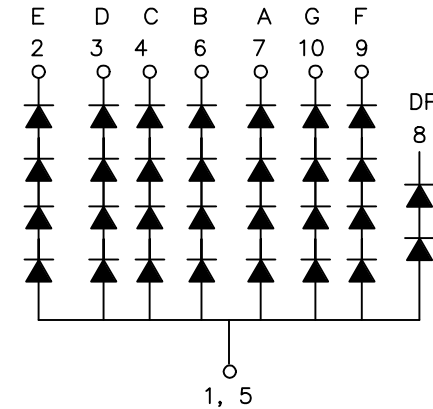
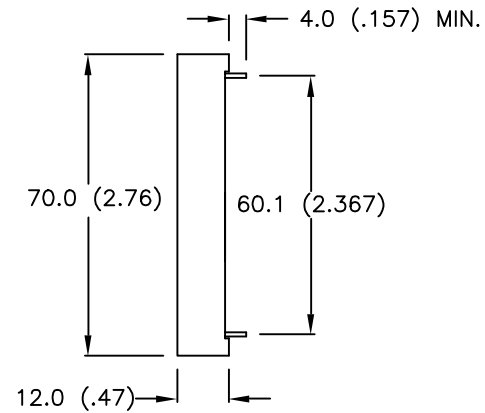
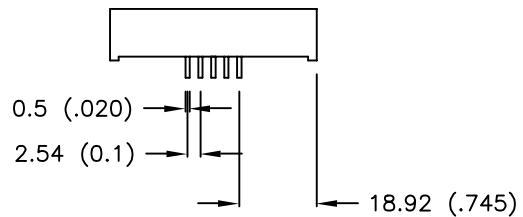
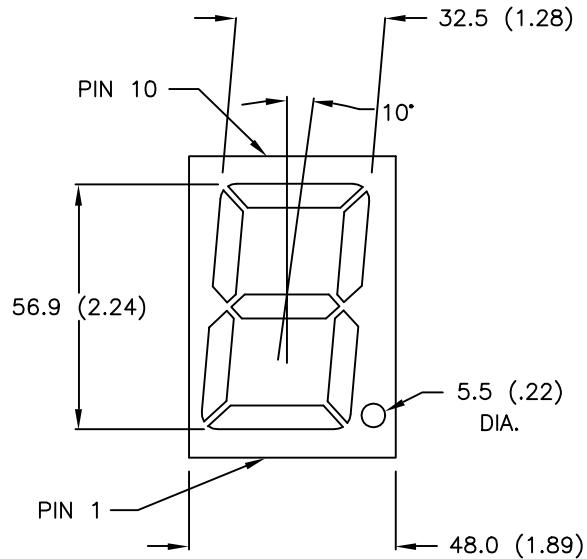
DATE

REVISIONS

REV

DRAWING NUMBER
LDS-AD16RI

REV



COLORS	$T_A=25^\circ\text{C}$ ABSOLUTE MAXIMUM RATINGS PER LED CHIP						$T_A=25^\circ\text{C}$ ELECTRO-OPTICAL CHARACTERISTICS					
	EMITTED	VR	IF	IFP	PD	TOPR	IF	VF TYP	VF MAX	IV TYP	IR MAX	IP
FONT	SEGMENT	V	mA	mA	mw	$^\circ\text{C}$	mA	V	V	ucd	uA	nm
	RED	5	30	150	100	-40~+85 $^\circ\text{C}$	10	6.8	8.8	22.5K	100	660
GRAY	WHITE											

NOTES:

- ALL DIMENSIONS ARE IN MILLIMETERS (INCHES). TOLERANCE IS 0.25 (0.01") UNLESS OTHERWISE SPECIFIED.
- IV TESTED CONDITION IF=10mA AND THE LISTED IV IS THE AVERAGE INTENSITY FOR EVERY SEGMENT LISTED.

LUMEX
OPTO COMPONENTS INC.

290 E. HELLEN ROAD
PALATINE, ILLINOIS 60067
(847) 359-2790

CONFIDENTIAL INFORMATION
THE INFORMATION CONTAINED IN THIS DOCUMENT IS THE PROPERTY OF LUMEX OPTO/COMPONENTS, INC. EXCEPT AS SPECIFICALLY AUTHORIZED IN WRITING BY LUMEX OPTO/COMPONENTS, INC., THE HOLDER OF THIS DOCUMENT SHALL KEEP ALL INFORMATION CONTAINED HEREIN CONFIDENTIAL AND SHALL PROTECT SAME IN WHOLE OR IN PART FROM DISCLOSURE AND DISSEMINATION TO ALL THIRD PARTIES.

DATE: 3-25-97	DWN:	CHK'D:	APPD:
SCALE: N/A			

2.3" RED SEVEN SEGMENT DISPLAY

PAGE 1 OF 1

DRAWING NUMBER
LDS-AD16RI

REV